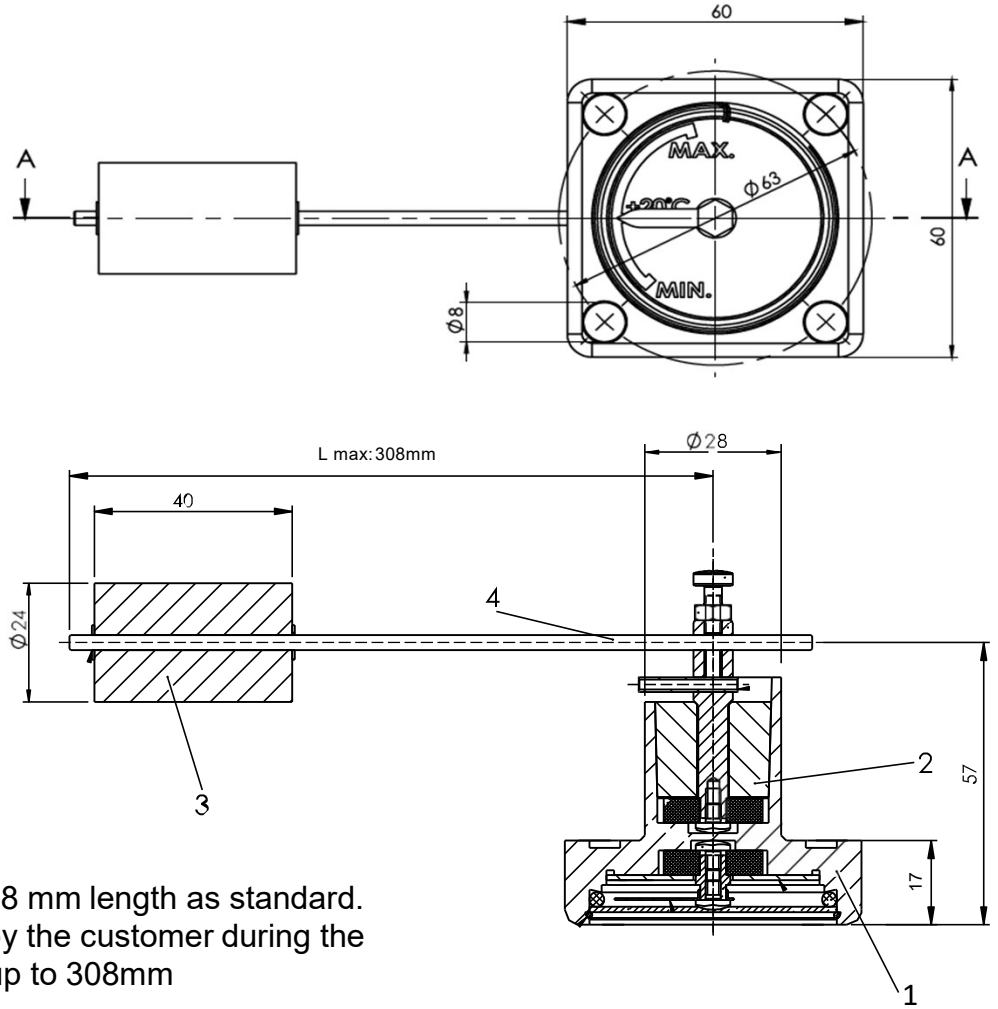


Magnetic Oil Level Indicator DIN 42569 Type A



The float lever is delivered with 308 mm length as standard. It's length can be freely adjusted by the customer during the installation from minimum 88mm up to 308mm

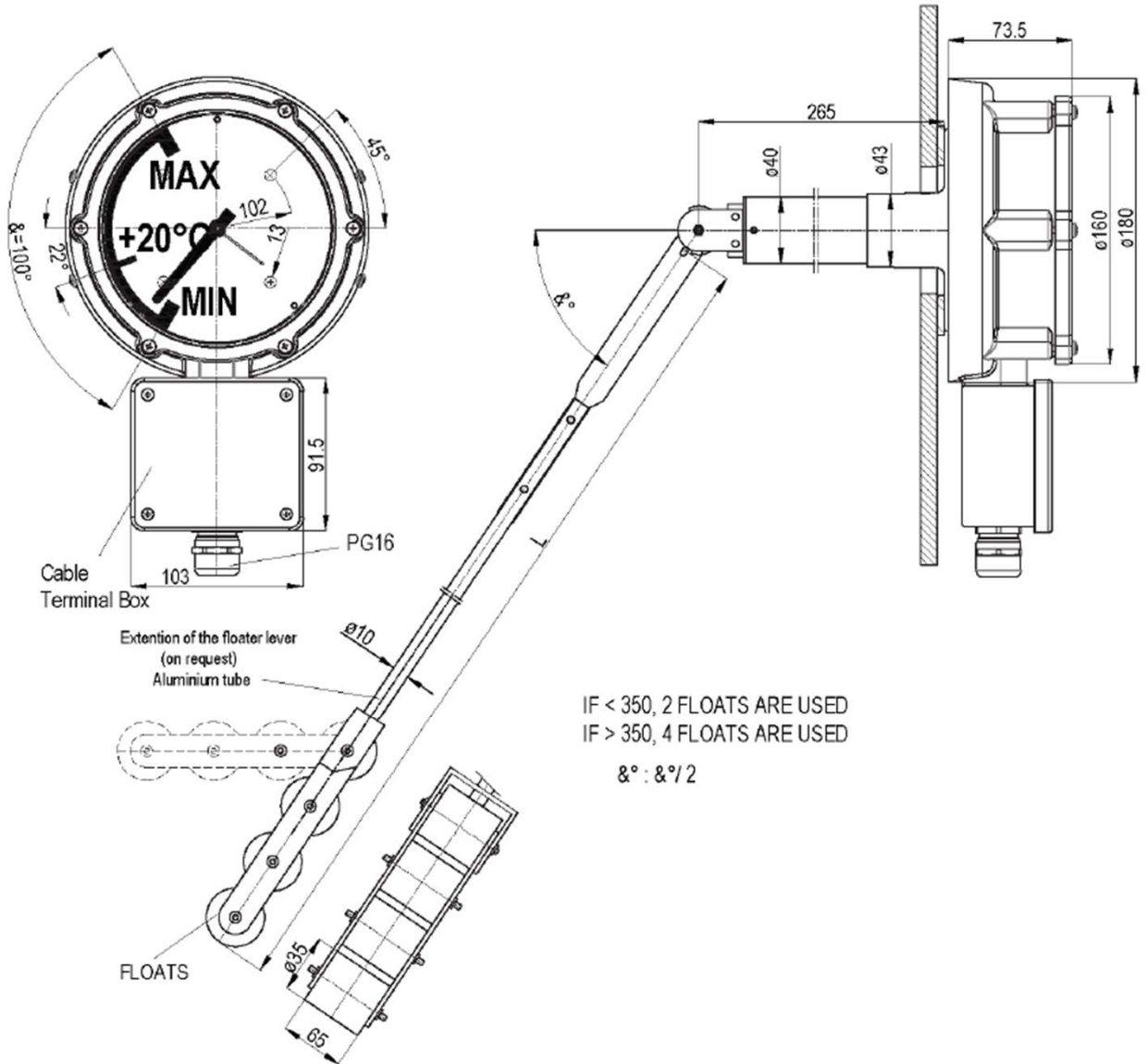
Case	Injected aluminium RAL 7033	No.	Part Name	Standard	Material	Qty
Indicator dial	Aluminium sheet	1	Body	DIN 42569 A-1	GD-AL lack. RAL 7033	1
Pointer	Brass	2	Roll	DIN 42569 A-2	PA 6	1
Indicator glass	Polycarbonate	3	Fleat	DIN 42569 A-3	Rohacell 51 IG	1
Joint glass	Nitrile rubber					
Float	Cellular type plastic foam	4	Handle for Fleat	DIN 42569 A-4	Ms 70	1

Magnetic Oil Level Indicator DIN 42569 Type B - Axial

AXIAL TYPES

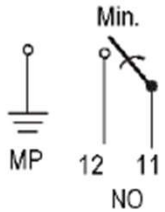
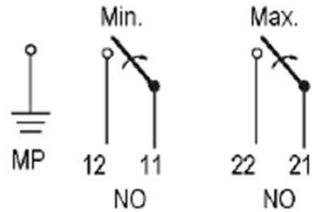
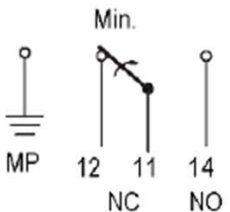
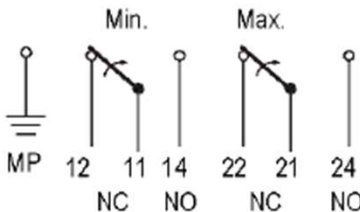
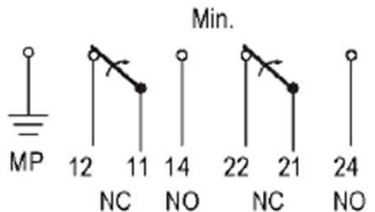
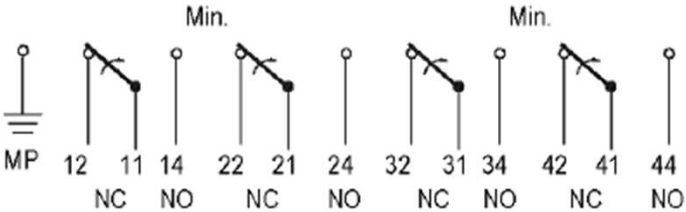
TYPE	CODE NO (Terminal box type)
MOLCB-B1 (SINGLE CONTACT)	M81-1
MOLCB-B2 (DOUBLE CONTACT)	M91-1

TYPE	CODE NO
MOLCB-B0 (WITHOUT CONTACT)	M71-1

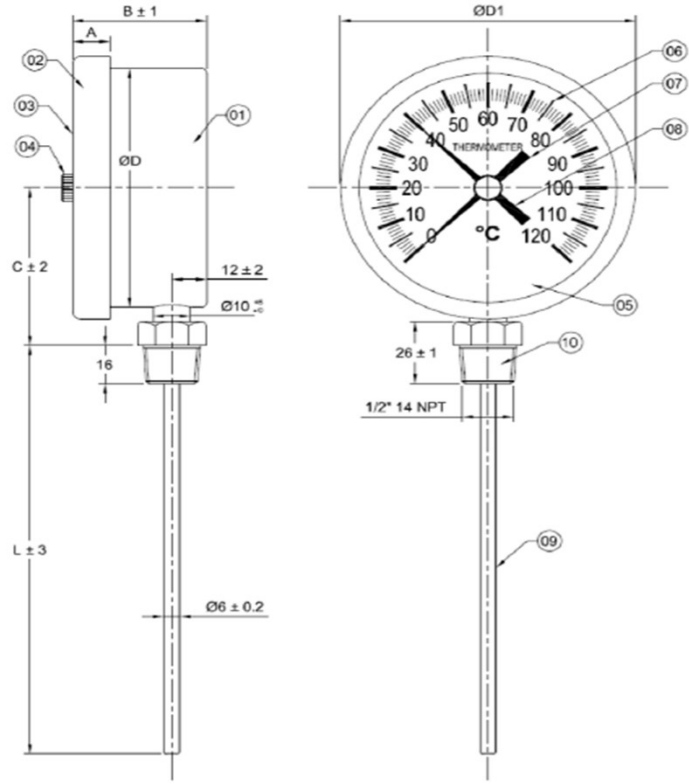


Magnetic Oil Level Indicator DIN 42569 – Contact Diagrams

TERMINAL BOX TYPE CONNECTION

 <p>At minimum position, single contact standart connection</p>	 <p>Double contact, standard connection</p>
 <p>At minimum position, single contact changeover connection</p>	 <p>Double contact, changeover connection</p>
 <p>2 contacts for minimum level</p>	 <p>2 contacts for min.level (chageover) + 2 contacts for max.level</p>

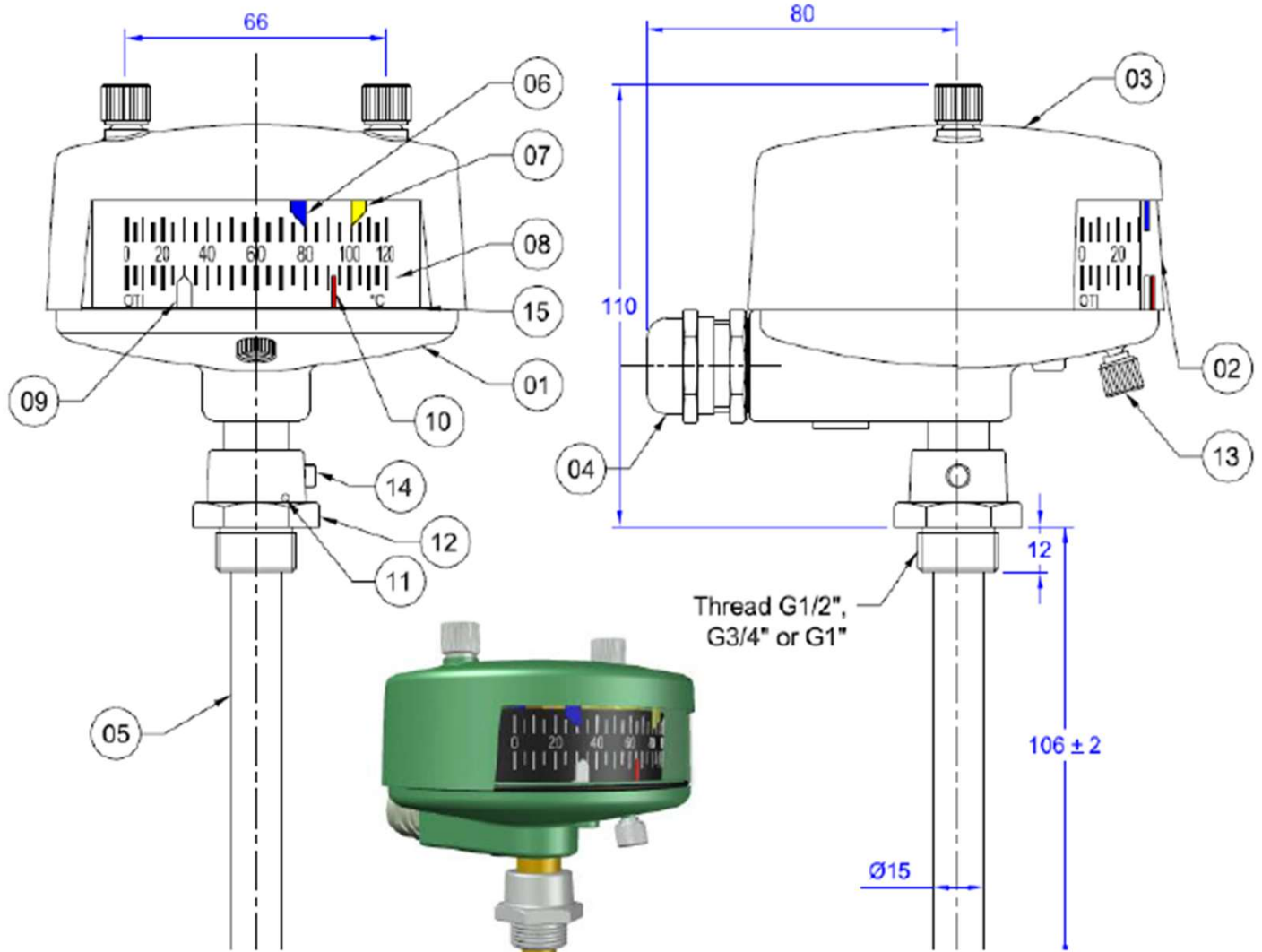
Oil Temperature Indicator Bimetalic



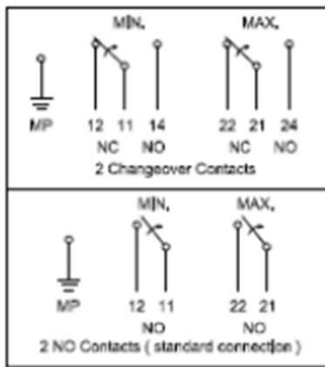
No.	Description	Material	Qty.
1	Case	Stainless Steel	1
2	Cover	Stainless Steel	1
3	Window	Polycarbonate	1
4	Reset knob	Brass	1
5	Dial	Aluminium	1
6	Scale	Snow white	1
7	Indicator	Satin Black	1
8	Pointer Indicator	Red Glossy	1
9	Stem	Stainless Steel	1
10	Connector	Stainless Steel	1

D	D1	L	A	B	C
75	85	165	13	48	55
100	110	165	15	50	67
75	85	120	13	48	55
100	110	120	15	50	67

Oil Temperature Indicator Bi-Metallic with Switch



Thread G1/2",
G3/4" or G1"



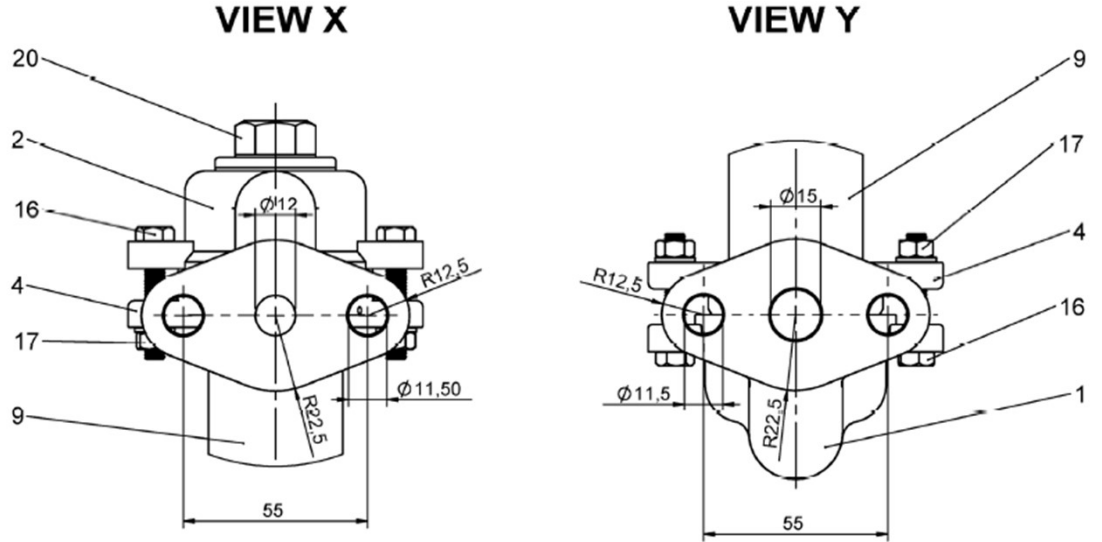
BI-METALLIC THERMOMETER
WITH MAX. POINTER,
ALARM & TRIP CONTACT

Bill of Material			
Part No.	Description	Qty.	Material
01	Body	01	Aluminium PDC
02	Window	01	Polycarbonate
03	Case	01	Aluminium
04	Cable Gland (PG 16)	01	Brass
05	Stem	01	Brass
06	Min. Temp. Set Pointer (Blue)	01	Nylon
07	Max. Temp. Set Pointer (Yellow)	01	Nylon
08	Indicating Scale (Silver on Black)	01	Aluminium
09	Temp. Indicating Pointer (White)	01	Nylon
10	Max. Indicating Pointer (Red)	01	Stainless Steel
11	'O' Ring	01	NBR
12	Hex. Adaptor	01	Aluminium
13	Set Knob	01	Brass
14	Grub Screw	01	Stainless Steel
15	'O' Ring	02	Silicon

Oil Level Indicator Vertical DIN 42552 B



Connection Detail ;



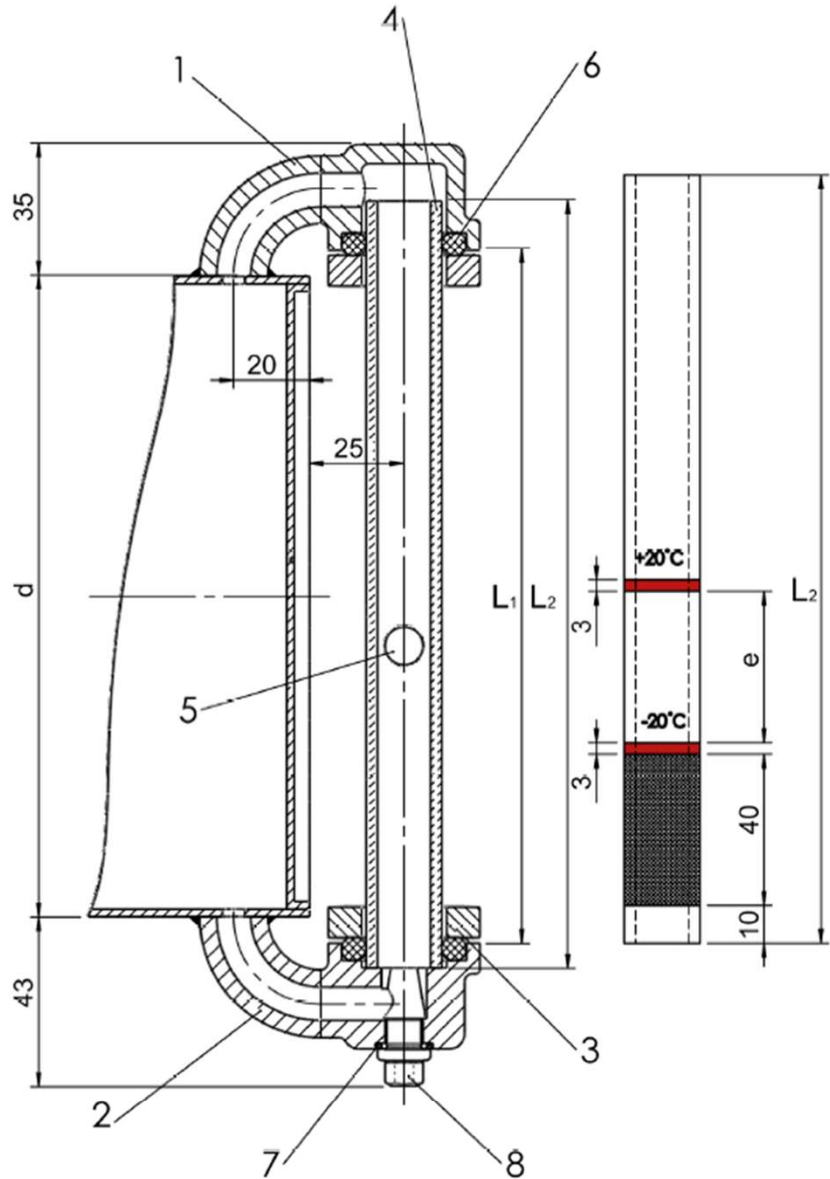
PART LIST

Item	Q'ty	Designation	Short	Remarks
1	1	Bottom Part	DIN 42552-1	GG 20 Gal. Zn.
2	1	Head Part	DIN 42552-2	GG 20 Gal. Zn.
3	1	Handle	DIN 42552-3	GG 20 Gal. Zn.
4	2	Press Ring	DIN 42552-4	GG 20 Gal. Zn.
5	1	Rotary Spindle	DIN 42552-5	MS 58
6	1	Bushing	DIN 42552-6	MS 58
7	1	Temperature Label	DIN 42552-7	1)
8	2	Press Ring	DIN 42552-8	St 12 - 1.0330
9	1	Tube	DIN 42552-9	Glass ISO 719
10	1	Floating Ball	DIN 42552-10	Glass Blue
11	1	Gasket	DIN 42552-12	Free of Asbestos
12	1	Washer	DIN 42552-12	Psp 3050 DIN 40600
13	1	Packing Washer	DIN 42552-13	PA 6
14	2	Gasket	DIN 42552-14	NBR 70
15	3	Gasket	DIN 42552-15	NBR 70
16	4	Hex Screw	ISO 4014-M6x35	A2-70
17	4	Nut	ISO 4032-M6	A2-70
18	1	Stop Screw	DIN 85-M8x10	Ms
19	1	Pin	DIN 7-3h8x28	A2
20	1	Stop Screw	DIN 7604-A-M30x1,5	A2-70
21	1	Packing Washer	DIN 42 552-21	PA 6

Special Design ;

Tube (9) : Plexiglass
Gasket (11) : NBR 70 Shore

Oil Level Indicator Vertical DIN 42555



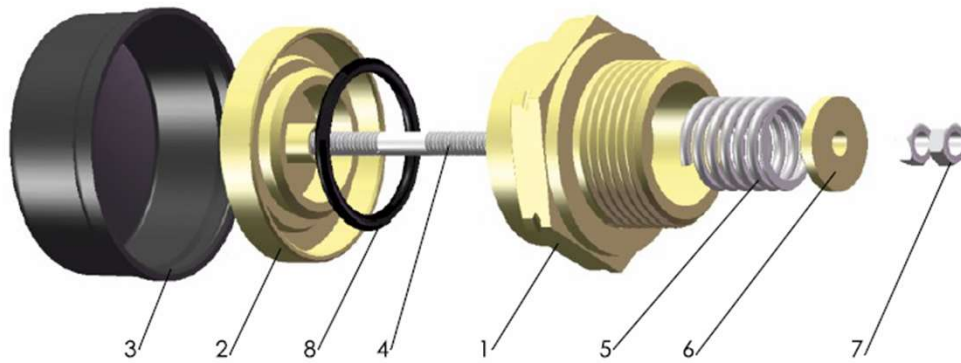
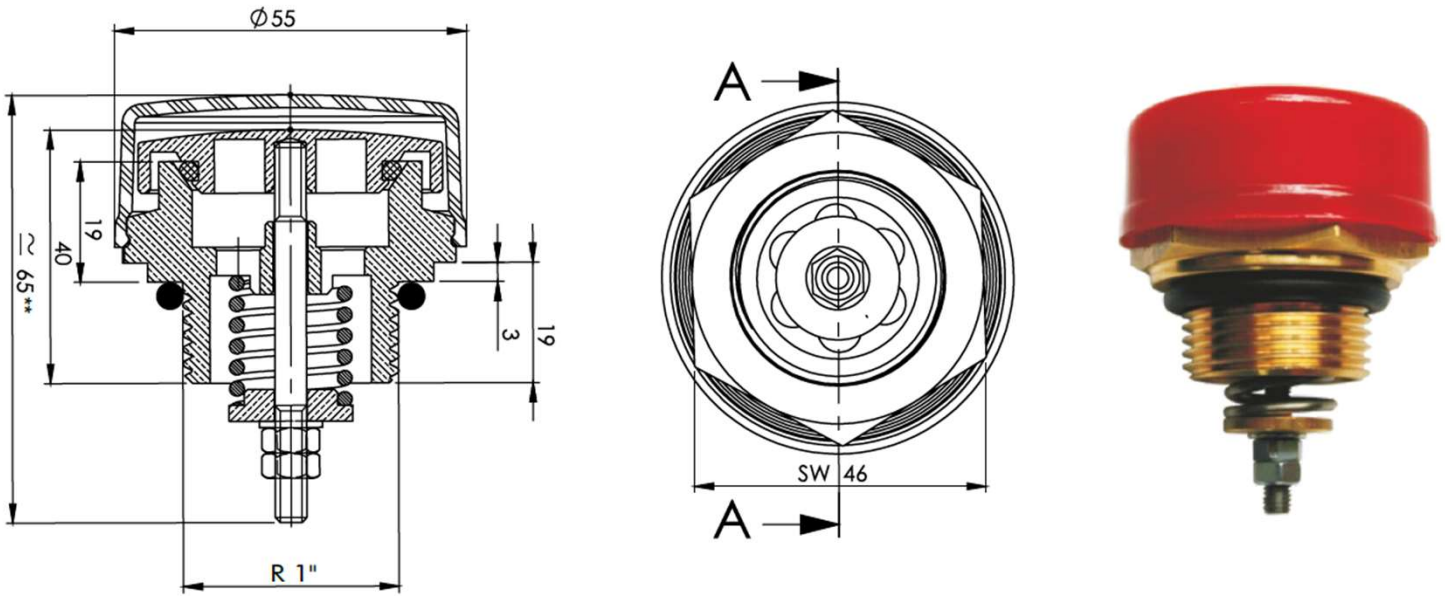
DIN 42555 STANDARD LENGTH

d	L1 ± 2	L2 ± 1	e
160	174	193	40
200	214	233	53
250	264	283	72
315	329	348	95
400	414	433	125
500	514	533	165
630	644	663	219

PART LIST

Item	Description	Short	Q'ty
1	Top Section	1DIN 42555	1
2	Bottom Section	2 DIN 42555	1
3	Flange	3 DIN 42555	2
4	Tube	4 DIN42555 - L ₁	1
5	Ball	5 DIN 42555	1
6	O-Ring	6 DIN 42555	2
7	Gasket	7 DIN 42555	1
8	Blind Plug	M10x1 DIN 910- 5.8 A4G	1
9	Bolt Screw	M6x20 DIN 933- 5.8 A4G	4

Pressure Relief Device 30kPa and 50kPa



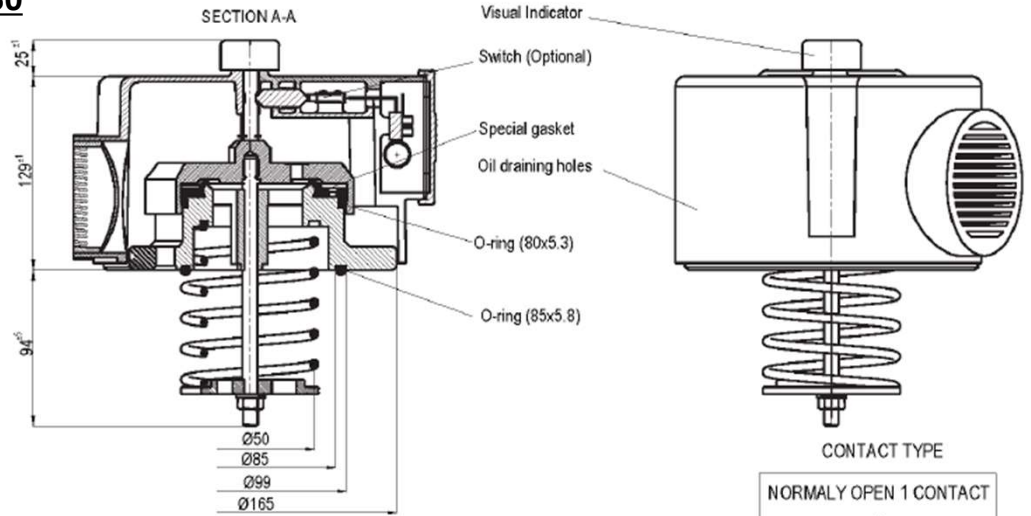
No.	Description	Material	Qty.
1	Body	Brass	1
2	Cap	Brass	1
3	Protection Cap	PA6	1
4	Stud bolt	Stainless Steel	1
5	Spring	Stainless Steel	1
6	Washer	Brass	1
7	Nut	Stainless Steel	2
8	O Ring	NBR70	1

Type	Connection Diameter
PRD-50 kPa	1"
PRD-50 kPa	2"
PRD-30 kPa	1"

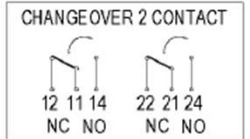
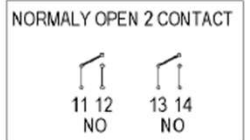
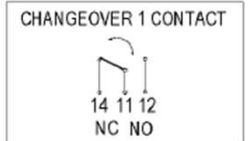
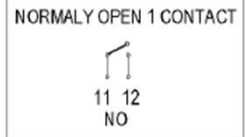
Pressure Safety Valve



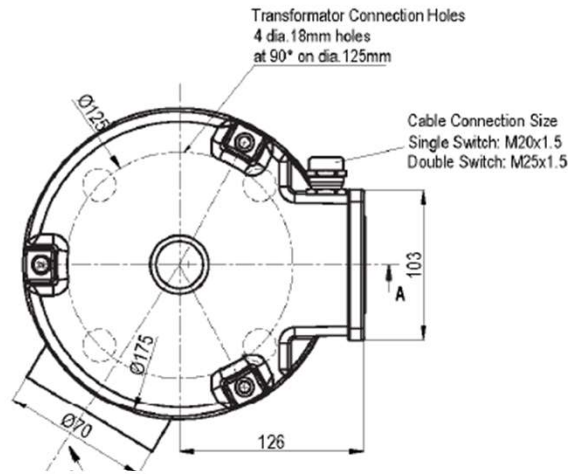
MPRV-50



CONTACT TYPE



TRANSFORMER OIL VOLUME (dm ³)	VALVE TYPE
UP TO 3000	MPRV-50
UP TO 9000	MPRV-80



MPRV-50

Recommended Maximum Electrical Ratings (Switch Characteristics)

Switch Type	Voltage (V)	Resistive Load (A)	Motor Load (A)	Approvals ENEC		Approvals UL	
				(A)	(V)	(A)	(V)
XCG	250 (AC)	6	2	6 (2)	250 (AC)	5	250 (AC)
XCG	30 (DC)	6	2	6 (2)	30 (DC)	---	---
XCG	125 (AC)	1,5	0,5	1,5 (0,5)	125 (DC)	---	---

MPRV-80

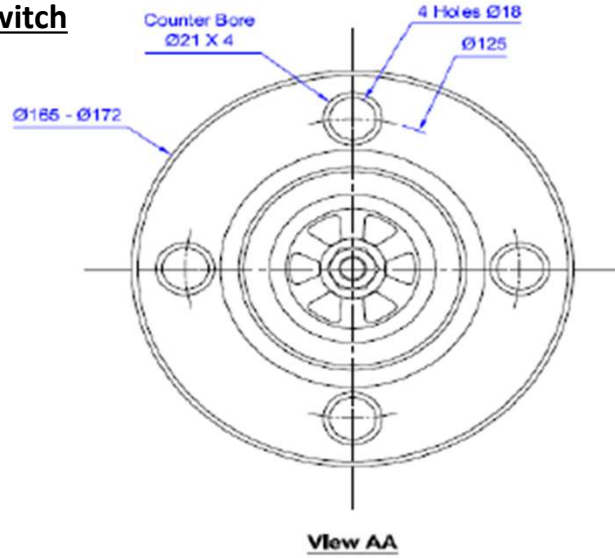
Recommended Maximum Electrical Ratings (Switch Characteristics)

Switch Type	Voltage (V)	Resistive Load (A)	Motor Load (A)	Approvals ENEC		Approvals UL	
				(A)	(V)	(A)	(V)
XCG	250 (AC)	6	2	6 (2)	250 (AC)	5	250 (AC)
XCG	30 (DC)	6	2	6 (2)	30 (DC)	---	---
XCG	125 (AC)	1,5	0,5	1,5 (0,5)	125 (DC)	---	---

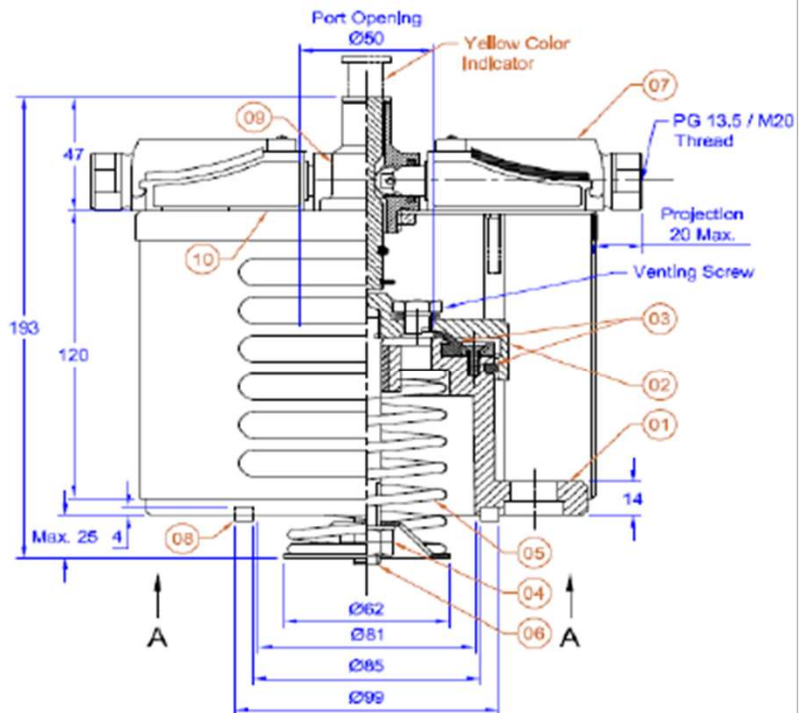
Pressure Safety Valve T50 & T80 Double Switch



T50-Double Switch



Parts List			
Part No.	Description	Material	Qty.
01	Body	Aluminium	01
02	Shutter	Aluminium	01
03	Gasket Rubber	NBR	02
04	Nut	Brass	02
05	Spring	Stainless Steel	01
06	Tie Rod	Stainless Steel	01
07	Switch	Connector Thread	02
08	Mounting Rubber	NBR	01
09	Plunger Holder	Aluminium	01
10	Protective Cover	Stainless Steel	01



* The Dimensions varies with set pressure.

FEATURES

- Available in standard factory preset pressure setting between 20 to 70kpa (3 to 10psi).
- Electric signal switch optional.
- Stainless Steel directional cover
- Having Gas bleed screw.
- All stainless steel / brass hardware for extreme outdoor conditions.
- Electrostatic powder coated body (Finish - RAL 7033).
- Operating pressure tolerance of ± 3 kpa for PRV upto 70 kpa, ± 5 kpa for PRV between 40 to 70 kpa.

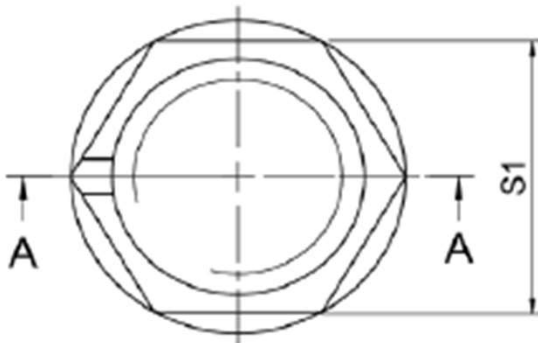
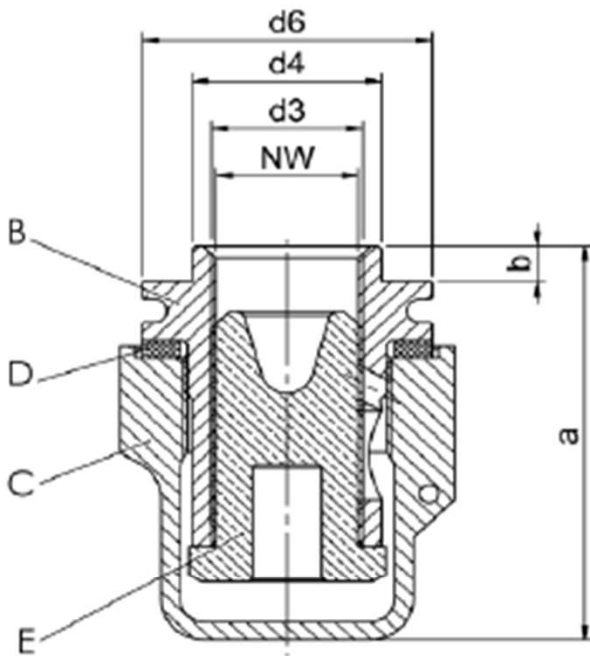
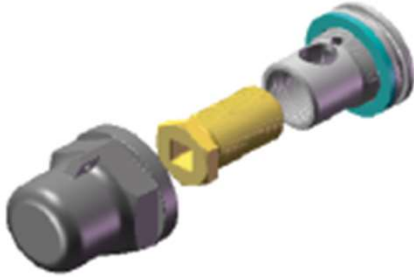
T50-Double Switch

Type	Size	Model No.	Switch
T50	50	PRD XX 03	1NO - 1NC
T50	50	PRD XX 04	2NO - 2NC

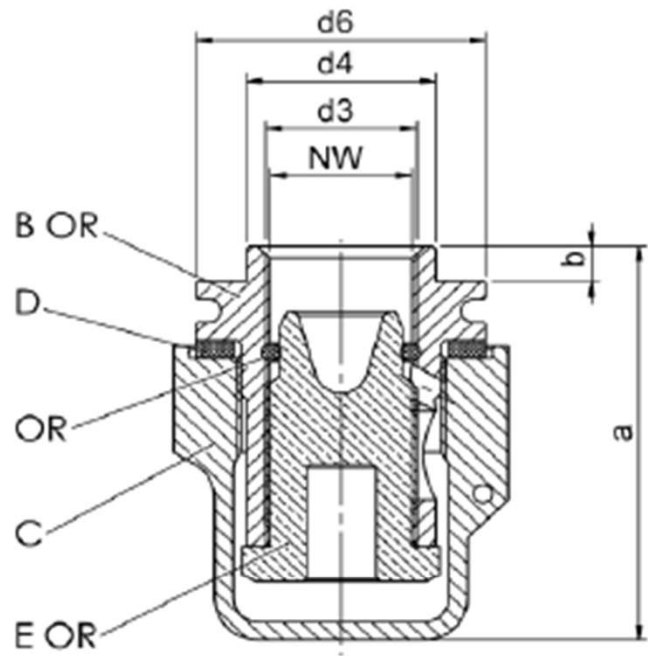
T80-Double Switch

Type	Size	Model No.	Switch
T80	80	PRD XX 03	1NO - 1NC
T80	80	PRD XX 04	2NO - 2NC

42551 A



42551 A OR

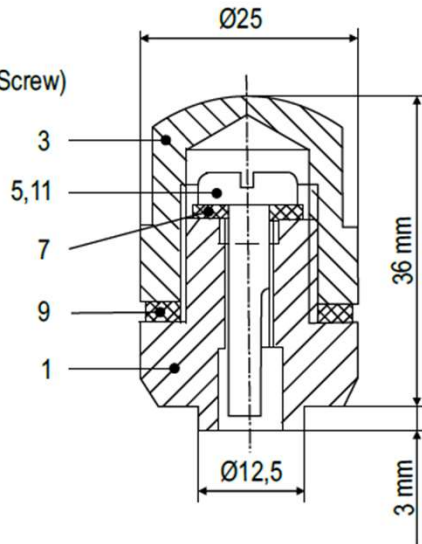


NW	a	b	d3	d4	d6=S1
22	67	6	M24x1,5	30	46
22 OR	67	6	M24x1,5	30	46
31	93	10	M33x1,5	40	65
31 OR	85	2	M33x1,5	40	65
40	115	10	M42x1,5	52	80
40 OR	111	6	M42x1,5	52	80

DIN 42558 6



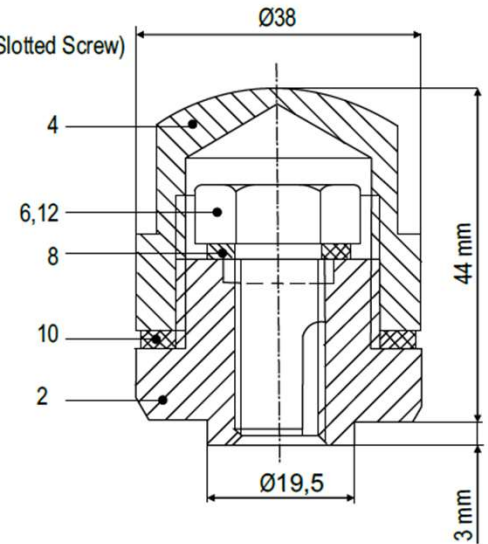
Size 6 vent
Size 6A drain (Slotted Screw)



DIN 42558 12



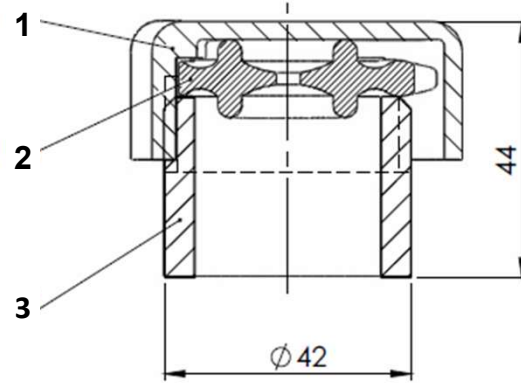
Size 12 vent
Size 12A drain (Slotted Screw)



Pos. No.	Qty.				Description	Specification	Material
	6	6A	12	12A			
1	1	1	-	-	Adapter	DIN 42558-1	St 37-2 zinc <input type="checkbox"/> A2-70 <input type="checkbox"/>
2	-	-	1	1	Adapter	DIN 42558-2	St 37-2 zinc <input type="checkbox"/> A2-70 <input type="checkbox"/>
3	1	1	-	-	Cap	DIN 42558-3-A 4G	St 37-2 zinc <input type="checkbox"/> A2-70 <input type="checkbox"/>
4	-	-	1	1	Cap	DIN 42558-4-A 4G	St 37-2 zinc <input type="checkbox"/> A2-70 <input type="checkbox"/>
5	1	-	-	-	Slotted Pan head screw	DIN 42558-5-A 4G	DIN 42558-5-A 4G
6	-	-	1	-	Bolt	DIN 42558-6-A 4G	DIN 42558-6-A 4G
7	1	1	-	-	Gasket	DIN 42558-7	PA 6
8	-	-	1	1	Gasket	DIN 42558-8	PA 6
9	1	1	-	-	Gasket	DIN 42558-9	PA 6
10	-	-	1	1	Gasket	DIN 42558-10	PA 6
11	-	1	-	-	Slotted Pan head screw	DIN 85-A 4G AM 6x25 - 4,8	DIN 85-A 4G AM 6x25-4,8
12	-	-	-	1	Bolt	ISO 4017-A 4G M 12x25 - 8,8	ISO 4017-A 4G M 12x25 - 8,8

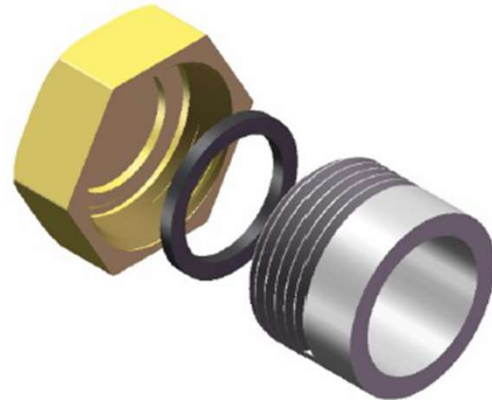
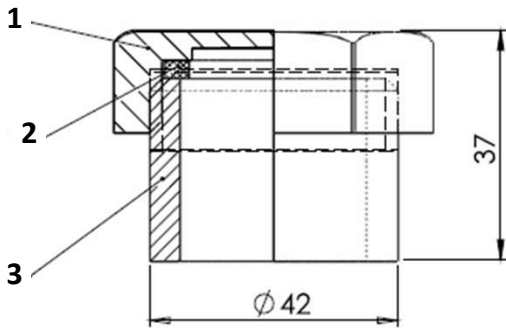
Oil Filling Plug DIN 42533

Oil Filling Plug Form E



No.	Description	Material	Standard
1	Cap	GD ZnA14	DIN 42533
2	Labyrinth disk	PA 6	DIN 42533
3	Socket Body	St 35	DIN 42533

Oil Filling Plug Form D



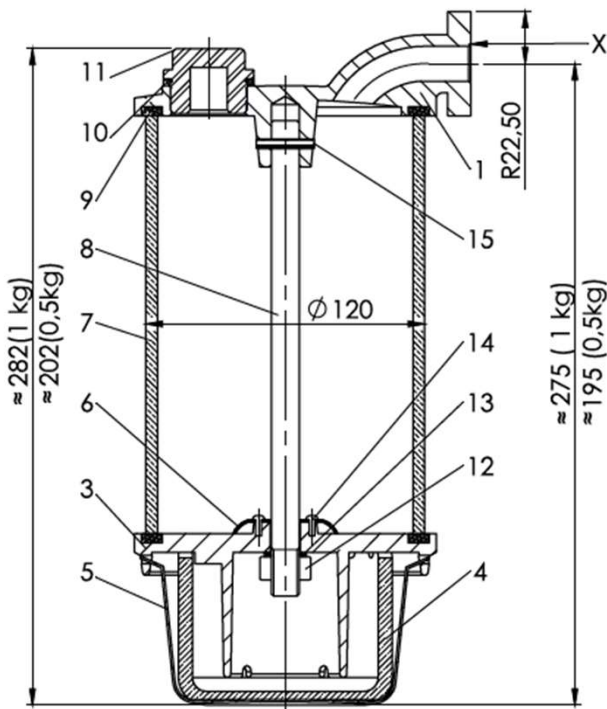
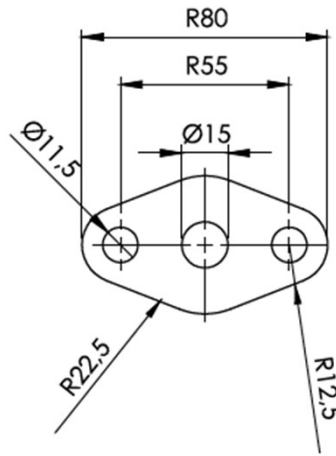
No.	Description	Material	Standard
1	Cap	GD ZnA14	DIN 42533
2	Gasket	NBR	DIN 42533
3	Socket Body	St 35	DIN 2691

Air Breather DIN 42567 Type A



The top and the bottom sections : Casted aluminum
 Paint : RAL 7033 electrostatic powder
 Shafts : Nickel plated steel
 Container : Glass oil bowl polycarbonate
 Bowl Clamp : Stainless Steel

Silicagel Capacity	Form	Application	Transformer Oil Capacity
0.5 kg.	A	250 kVA	1800 kg.
1.0 kg.	A	250-5000 kVA	3600 kg.



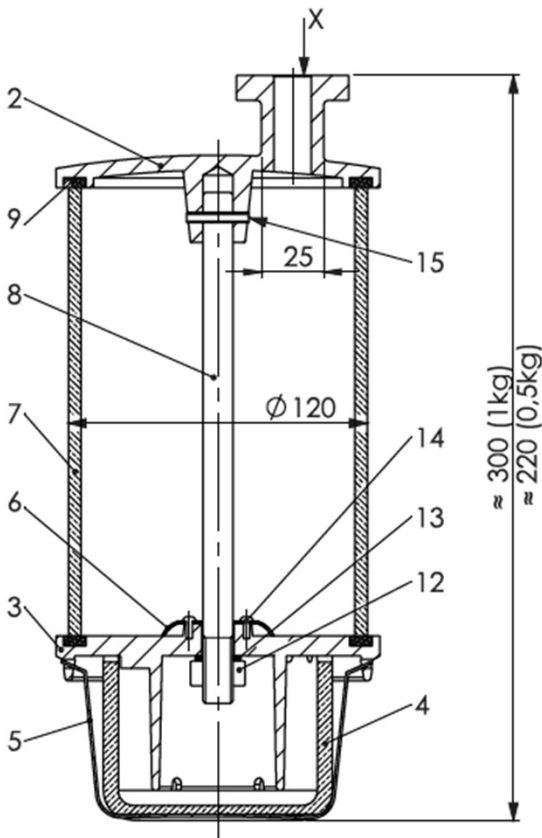
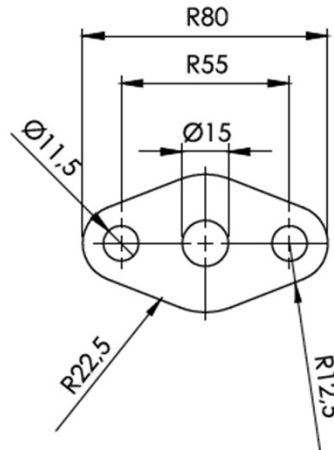
Pos. No.	Qty.	Description	Material
1	1	Top section	GD - AL lack RAL 7033
3	1	Bottom section	GD - AL lack RAL 7033
4	1	Oil bowl	Plexiges, klar
5	1	Holder	X 12 CrNi 177
6	1	Sieve	AL 1.5 Ø
7	1	Glass cylinder	Glass 120x5x100/180
8	1	Bridging plug	St 33 galv. zn M12x125/250
9	2	Gasket	NBR 70
10	1	Gasket	Asbestos free
11	1	Plug	GD - AL lack RAL 7033
12	1	Nut	M12 DIN 934 - 4D
13	1	Spring washer	B12 DIN 127
14	2	Rivet	2,5x4 Alu DIN 1476
15	1	Pin	4x24 DIN 1471

Air Breather DIN 42567 Type B



The top and the bottom sections : Casted aluminum
 Paint : RAL 7033 electrostatic powder
 Shafts : Nickel plated steel
 Container : Glass oil bowl polycarbonate
 Bowl Clamp : Stainless Steel

Silicagel Capacity	Form	Application	Transformer Oil Capacity
0.5 kg.	B	250 kVA	1800 kg.
1.0 kg.	B	250-5000 kVA	3600 kg.



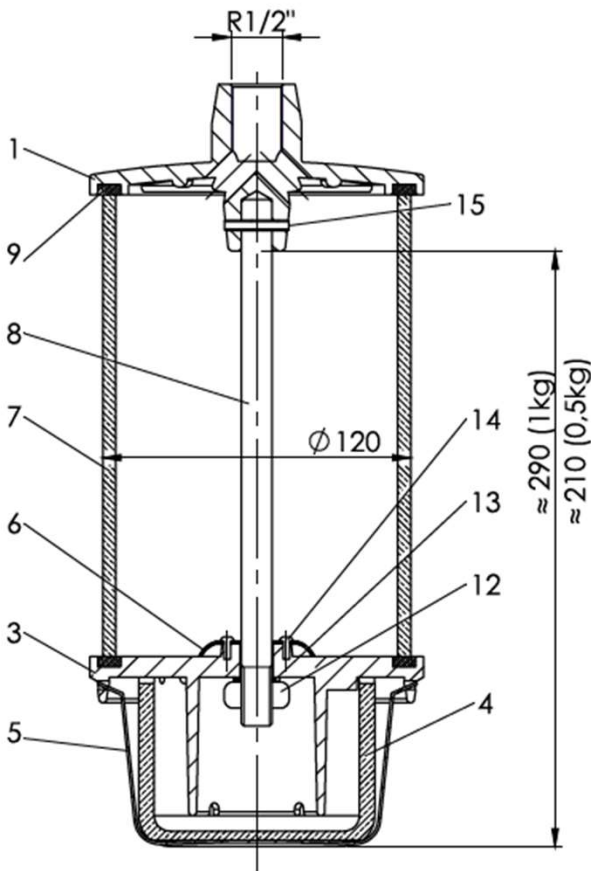
Pos. No.	Qty.	Description	Material
2	1	Top section	GD - AL lack RAL 7033
3	1	Bottom section	GD - AL lack RAL 7033
4	1	Oil bowl	Plexiges, klar
5	1	Holder	X 12 CrNi 177
6	1	Sieve	AL 1.5 Ø
7	1	Glass cylinder	Glass 120x5x100/180
8	1	Bridging plug	St 33 galv. zn M12x125/250
9	2	Gasket	NBR 70
12	1	Nut	M12 DIN 934 - 4D Galv. Zn
13	1	Spring washer	B12 DIN 127 - Galv. Zn
14	2	Rivet	2,5x4 Alu DIN 1476
15	1	Pin	4x24 DIN 1471

Air Breather DIN 42567 Type C



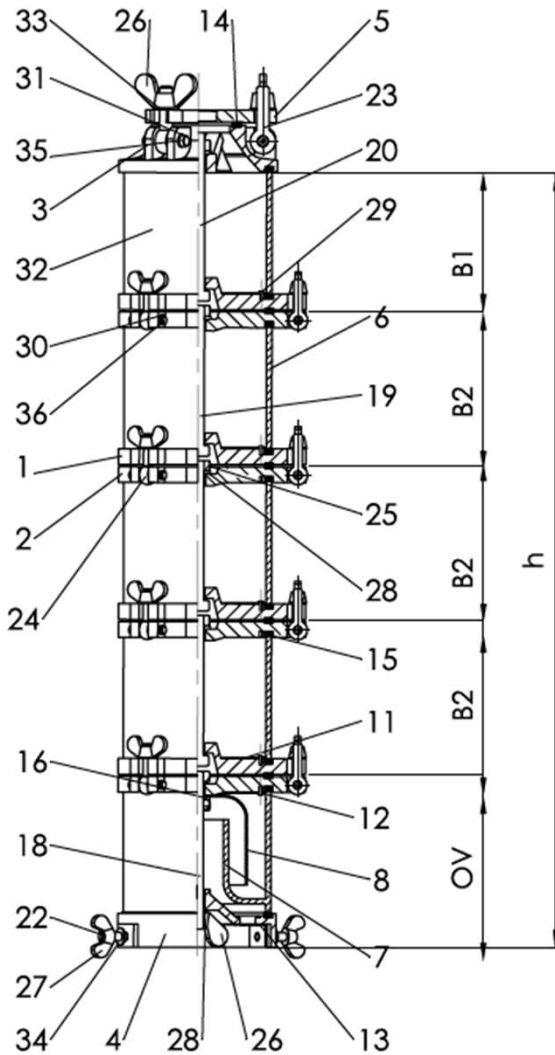
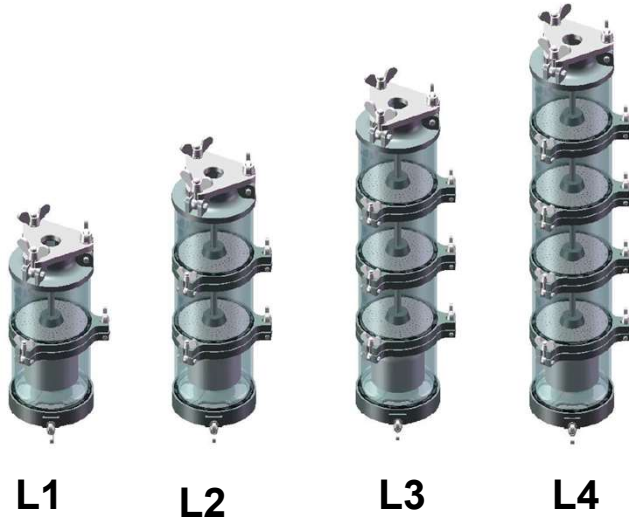
The top and the bottom sections : Casted aluminum
 Paint : RAL 7033 electrostatic powder
 Shafts : Nickel plated steel
 Container : Glass oil bowl polycarbonate
 Bowl Clamp : Stainless Steel

Silicagel Capacity	Form	R diameter			Application	Transformer Oil Capacity
0.5 kg.	C	R 1/2"	R 3/4"	R 1"	250 kVA	1800 kg.
1.0 kg.	C	R 1/2"	R 3/4"	R 1"	250-5000 kVA	3600 kg.



Pos. No.	Qty.	Description	Material
1	1	Top section	GD - AL lack RAL 7033
3	1	Bottom section	GD - AL lack RAL 7033
4	1	Oil bowl	Plexiges, klar
5	1	Holder	X 12 CrNi 177
6	1	Sieve	AL 1.5 Ø
7	1	Glass cylinder	Glass 120x5x100/180
8	1	Bridging plug	St 33 galv. zn M12x125/250
9	2	Gasket	NBR 70
12	1	Nut	M12 DIN 934 - 4D Galv. Zn
13	1	Spring washer	B12 DIN 127 - Galv. Zn
14	2	Rivet	2,3x5 DIN1476
15	1	Pin	4x24 DIN 1471

Air Breather DIN 42562 Stack Type



Types of moisture holders		L1	L2	L3	L4
Silicagel amount (kg.)		1,2	2,4	3,6	4,8
Height (h) (± 1)		342	489	636	783
Weight of moisture holders without silicagel (no filling) (kg.)		9,2	12,6	16,3	20
Assembly groups	B1	1	1	1	1
	B2	-	1	2	3
	OV	1	1	1	1

Pos. No.	Grouping			Description	Remarks
	B1	B2	OV		
1	1	1	-	Partition plate	GG 20 gal. zn
2	-	1	1	Partition plate	GG 20 gal. zn
3	1	-	-	Top section	GG 20 gal. zn
4	-	-	1	Bottom section	GG 20 gal. zn
5	-	-	-	Flange	
6	1	1	1	Glass cylinder	Glass
7	-	-	1	Oil container	Glass
8	-	-	1	Dome	nrSt
11	1	-	-	Perforated plate	A1
12	-	-	1	Perforated plate	A1
13	-	-	1	Perforated plate	A1
14	1	-	-	Gasket	NBR 70
15	2	3	3	Gasket	NBR 70
16	-	-	2	Gasket	M1-250
18	-	-	1	Bolt	M12x150 - A2. 70
19	-	1	-	Bolt	M12x130 - A2. 70
20	1	-	-	Bolt	M12x140 - A2. 70
22	-	-	2	Stud bolt	M8x30 - A2. 70
23	3	-	-	Eyebolt	M12x55 A2. 70
24	-	3	3	Eyebolt	M8x40 A2. 70
25	1	1	2	Hexagon nut	M12 - A2. 70
26	3	-	1	Wing nut	M12-C - A2. 70
27	-	3	5	Wing nut	M8-C - A2. 70
28	1	1	2	Spring washer	12 CrN. - 177
29	3	3	7	Pin	2,5x5 Alu
30	-	6	6	Circlips	8x0,8 - nrSt
31	6	-	-	Circlips	10x1 - nrSt
32	*	*	-	Silicagel	*-1,200 gr.
33	3	-	-	Washer	B13 - nrSt
34	-	3	5	Washer	B8,4 - nrSt
35	3	-	-	Stud	1.4305 nrSt
36	-	3	3	Stud	1.4305 nrSt

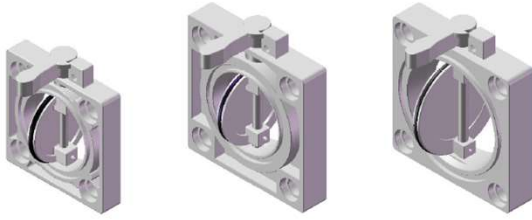
Butterfly Valve DIN42560

NW76, NW80, NW100

B OR 76 ALU

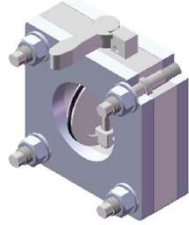
B OR 80 ALU (3")

B OR 100 ALU (4")

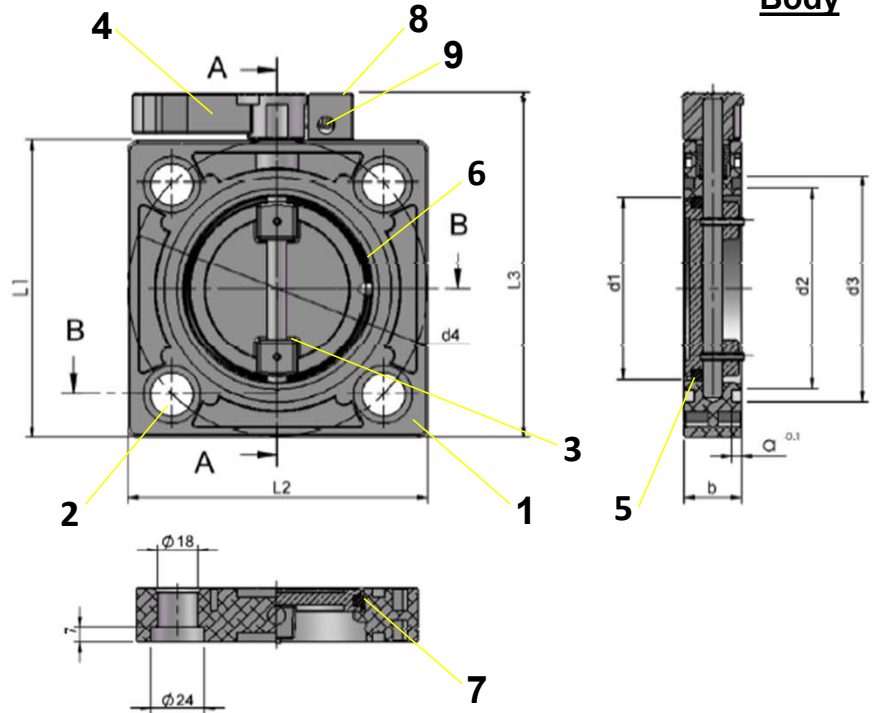
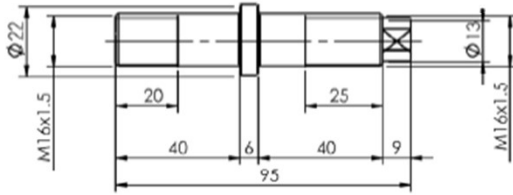
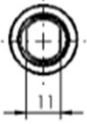


Assembling

Bolt M16x95

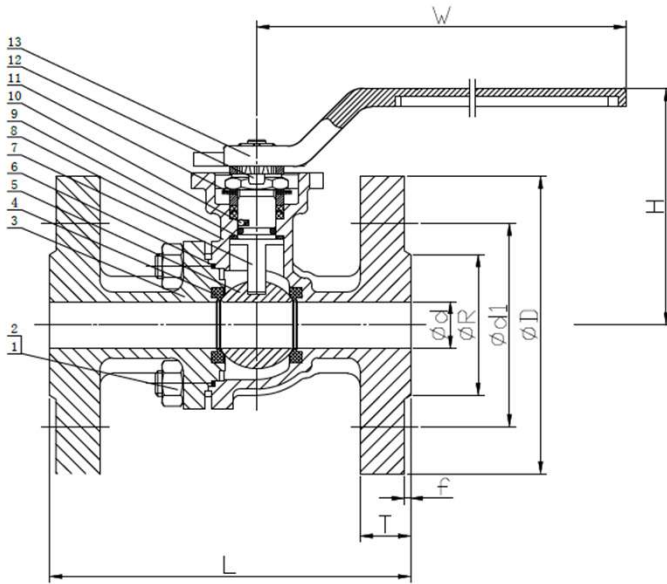
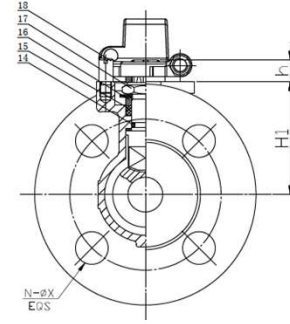


Bolt M16 x 95



No.	Description	Material	Dimensions											
			Type	L1	L2	L3	d1	d2	d3	d4	a	b		
1	Body	Aluminium												
2	Flap	Aluminium												
3	Shaft	Stainless Steel												
4	Latch	Aluminium												
5	O Ring 1	Viton												
6	O Ring 2	Viton												
7	O Ring 3	Viton												
8	Stopper	Aluminium												
9	Padlock hole	Aluminium												
			NW76	125	125	145	76	84	95	125	3.9	24		
			NW80	150	150	170	80	89	100	160	3.9	30		
			NW80-1	150	150	170	80	99	110	160	3.9	30		
			NW 100	150	150	170	102	122	134	170	3.9	32		

Ball Valve Double Flange for Transformer



No.	Part Name	Material		
1	Stud	A193-B8	A193-B8	A193-B8
2	Nut	A194-8	A194-8	A194-8
3	Cap	A216 WCB	A351 CF8	A351 CF8M
4	Seat	PTFE/RPTFE	PTFE/RPTFE	PTFE/RPTFE
5	Ball	SS304	SS304	SS316
6	Gasket	PTFE	PTFE	PTFE
7	Stem	A276 304	A276 304	A276 316
8	Body	A216 WCB	A351 CF8	A351 CF8M
9	Stem Gasket	PTFE	PTFE	PTFE
10	Anti-Static Device	A276 304	A276 304	A276 304
11	Butterfly Spring	A276 304	A276 304	A276 304
12	Anti Loosing Cap	A276 304	A276 304	A276 304
13	Handle	SS201	SS201	SS201
14	O-Ring	Viton	Viton	Viton
15	Packing	PTFE	PTFE	PTFE
16	Packing Gland	A276 304	A276 304	A276 304
17	Stem Nut	A194-8	A194-8	A194-8
18	Stop Pin	A276 304	A276 304	A276 304

size	L	Ød	ØR	Ød1	ØD	H1	H	h	W	T	f	N-ØX	□P	ISO5211
1/2"	115	15	45	65	95	48.5	76	8.5	135	14	2	4-Ø14	9	F03-F04
3/4"	120	20	58	75	105	53.5	81	8.5	135	16	2	4-Ø14	9	F03-F04
1"	125	25	68	85	115	59	90	10	170	16	2	4-Ø14	11	F04-F05
1 1/4"	130	32	78	100	140	71	102	10	170	16	2	4-Ø18	11	F04-F05
1 1/2"	140	38	88	110	150	77.5	114.5	14	195	16	3	4-Ø18	14	F05-F07
2"	150	50	102	125	165	85	122	14	195	18	3	4-Ø18	14	F05-F07
2 1/2"	170	65	122	145	185	100	168	16	305	18	3	4-Ø18	17	F07-F10
3"	180	78	138	160	200	110	178	16	305	20	3	8-Ø18	17	F07-F10
4"	190	100	158	180	220	130	198	18	305	20	3	8-Ø18	19	F07-F10
5"	325	125	188	210	250	165	234	23	500	22	3	8-Ø18	22	F10-F12
6"	350	150	212	240	285	190	250	28	645	22	3	8-Ø22	27	F12-F14
8"	400	200	268	295	340	228	288	28	845	24	3	12-Ø22	27	F12-F14
10"	450	250	320	355	405	300	365	37	1335	26	3	12-Ø26	36	F14-F16